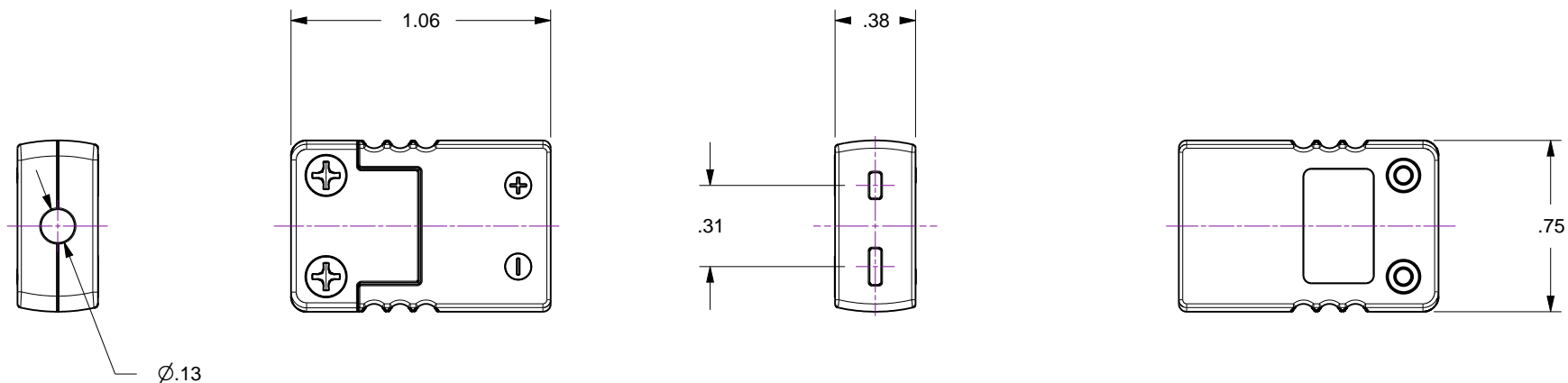
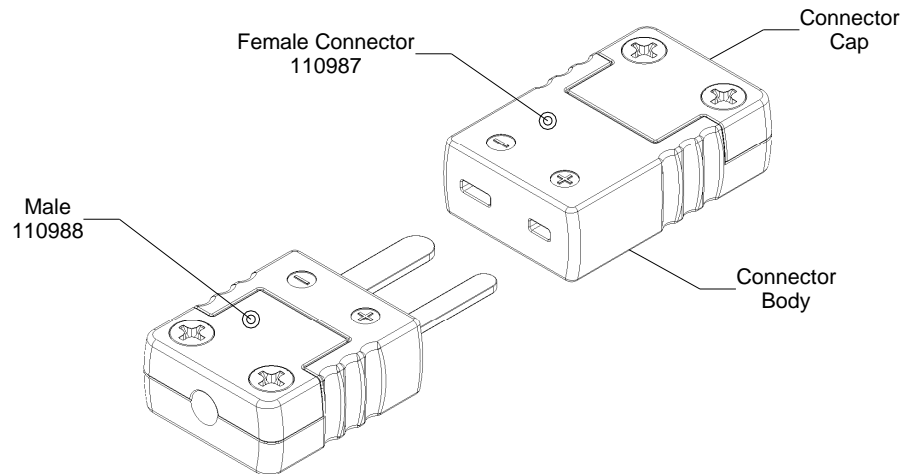


Notes

- 1. Two piece Alumina ceramic construction
- 2. Suitable for UHV service to 1x10E-10 Torr
- 3. Male mating connector see AG Part No. 110988 (sold separately)

Rev.	Description	Date	Made By	Approval
A	Initial Release			



Accu-Glass Products Inc.
 25047 Anza Drive
 Valencia, CA 91355
 T 818-365-4215
 F 818-365-7074
 www.accuglassproducts.com

UNCONTROLLED WEB DRAWING

Proprietary and Confidential
 The information contained in this drawing is the sole property of Accu-Glass, Products Inc. Any reproduction, in part or as whole, without the written permission of Accu-Glass Products, Inc., is strictly prohibited.

Material Ceramic, Alumina	
Tolerances, unless otherwise specified	
.X ± .030	Angles ± 0.5° Finish 63Ra
.XX ± .010	
.XXX ± .005	

Title Connector, Miniature Type-K Female Ceramic			
Drawn by Date	Ligeti 6/11/2018	No. 110987	Rev. A
Approved			Sheet