

Notes

- 1. Grounded, Single-Ended Microdot S-50 to .040 Diameter Pin on ISO NW40 KF Flange
- 2. Vacuum-Side standard and high-duty cycle female contacts are available (sold separately)
- 3. UHV 19 and 39 Inch cables with S-50 male connectors, 112783 / 112784 respectively (sold separately)
- 4. Leak tested to 5x10E-10 Standard cc/sec of He
- 5. Custom solutions available on request

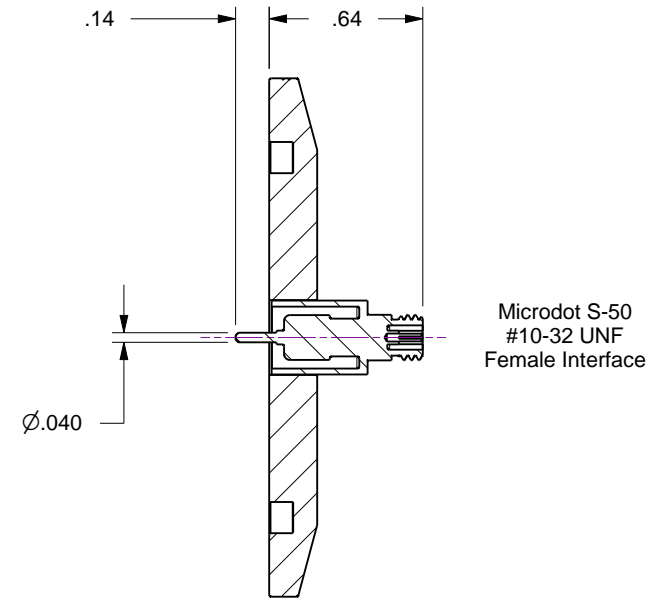
Rev.	Description	Date	Made By	Approval
A	Initial Release			

.040 HDC Contact  
110908 (20-24 AWG)  
110909 (26-30 AWG)

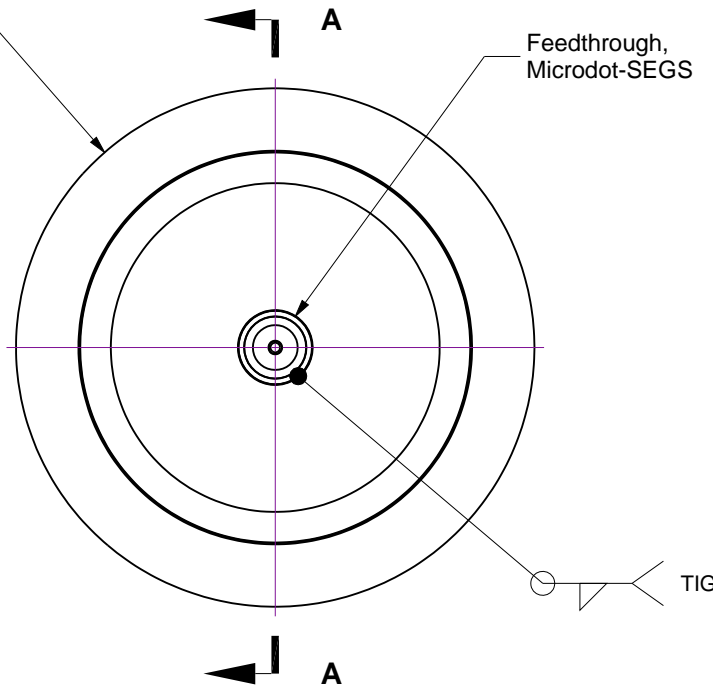
.040 STD Contact  
100180 (20-24 AWG)  
100181 (26-30 AWG)

ISO NW40 KF  
Ø2.160  
Stainless

Feedthrough,  
Microdot-SEGS



Section A-A



**UNCONTROLLED WEB DRAWING**

Proprietary and Confidential  
The information contained in this drawing is the sole property of Accu-Glass, Products Inc. Any reproduction, in part or as whole, without the written permission of Accu-Glass Products, Inc., is strictly prohibited.

Material  
See Individual Components

Tolerances,  
unless otherwise specified

.X ± .030	Angles ± 0.5° Finish 63Ra
.XX ± .010	
.XXX ± .005	

Title

MD-SEGS-K40

Drawn by  
Date

Farrell  
12/18/2014

No. **113120**

Rev.  
**A**

Approved

Sheet



**Accu-Glass Products Inc.**  
25047 Anza Drive  
Valencia, CA 91355  
T 818-365-4215  
F 818-365-7074  
www.accuglassproducts.com