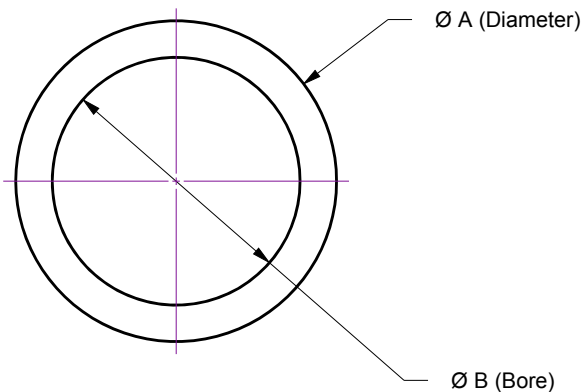
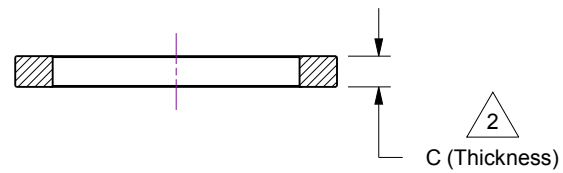
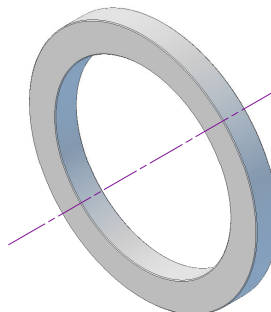


Notes

1. High purity OFE / OFHC copper gaskets for use with Conflat compatible CF Flanges
2. Gasket surfaces free from scratches, nicks, and burrs
3. Bores are maximum specification values... those with asterisks \* are available under/over sized bores
4. Main part numbers are for 10-piece packs, but 12 through 16-1/2 inch sizes are also available in single-piece packs, and ordered by changing last two-digits of part number... i.e. 200920 to 200921

Rev.	Description	Date	Made By	Approval
A	Initial Release			



Part No.	Model No.	CF Flange	3		
			'A' Diameter ± .002	'B' Bore Max.	'C' Thickness ± .003
200730	CG-064-133	1-1/3	.838	.643	.080
200740	CG-100-212	2-1/8	1.290	1.013	
200760	CG-145-275	2-3/4	1.895	1.451 *	
200761	CG-153-275			1.533	
200780	CG-201-338	3-3/8	2.425	2.015	
200810	CG-251-450	4-1/2	3.243	2.506 *	
200820	CG-280-450			2.813	
200830	CG-301-462	6	4.743	3.015	
200850	CG-401-600			4.009	
200851	CG-412-600	6-3/4	5.568	4.120 *	
200870	CG-501-675			5.013	
200880	CG-601-800	8	6.743	6.010	
200900	CG-801-1000	10	8.743	8.010	
200920, 21	CG-1000-1200	12	10.749	10.007	
200910, 11	CG-1085-1325	13-1/4	11.589	10.857	
200930, 31	CG-1156-1400	14	12.330	11.567 *	
-	-			11.813	
-	-	14-1/2	12.843	12.107	
200940, 41	CG-1411-1650	16-1/2	14.836	14.107	



**Accu-Glass Products Inc.**  
 25047 Anza Drive  
 Valencia, CA 91355  
 T 818-365-4215  
 F 818-365-7074  
 www.accuglassproducts.com

**UNCONTROLLED WEB DRAWING**

Proprietary and Confidential  
 The information contained in this drawing is the sole property of Accu-Glass, Products Inc. Any reproduction, in part or as whole, without the written permission of Accu-Glass Products, Inc., is strictly prohibited.

Material OFE / OFHC Copper	
Tolerances, unless otherwise specified	
.X ± .030	Angles ± 0.5° Finish 63Ra
.XX ± .010 .XXX ± .005	

Title Copper Gaskets, CF Flange			
Drawn by Date	Ligeti 2019/02/04	No. <b>Cu-Gaskets</b>	Rev. <b>A</b>
Approved			Sheet